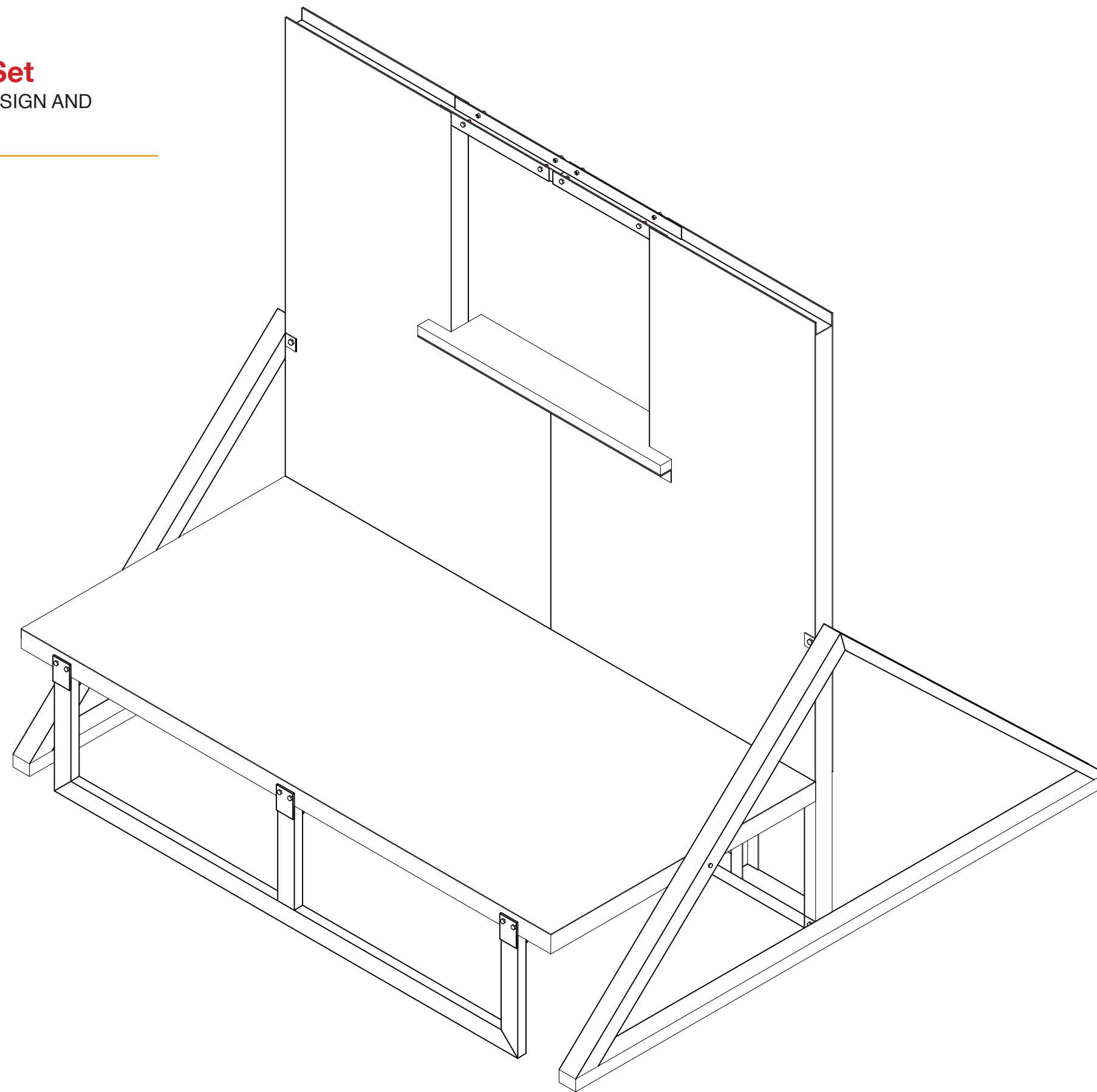




Window Prop Model Set

IAFF FGS PROP MATERIALS, DESIGN AND
BUILDING INSTRUCTIONS



WINDOW PROP

22 MAR 2012

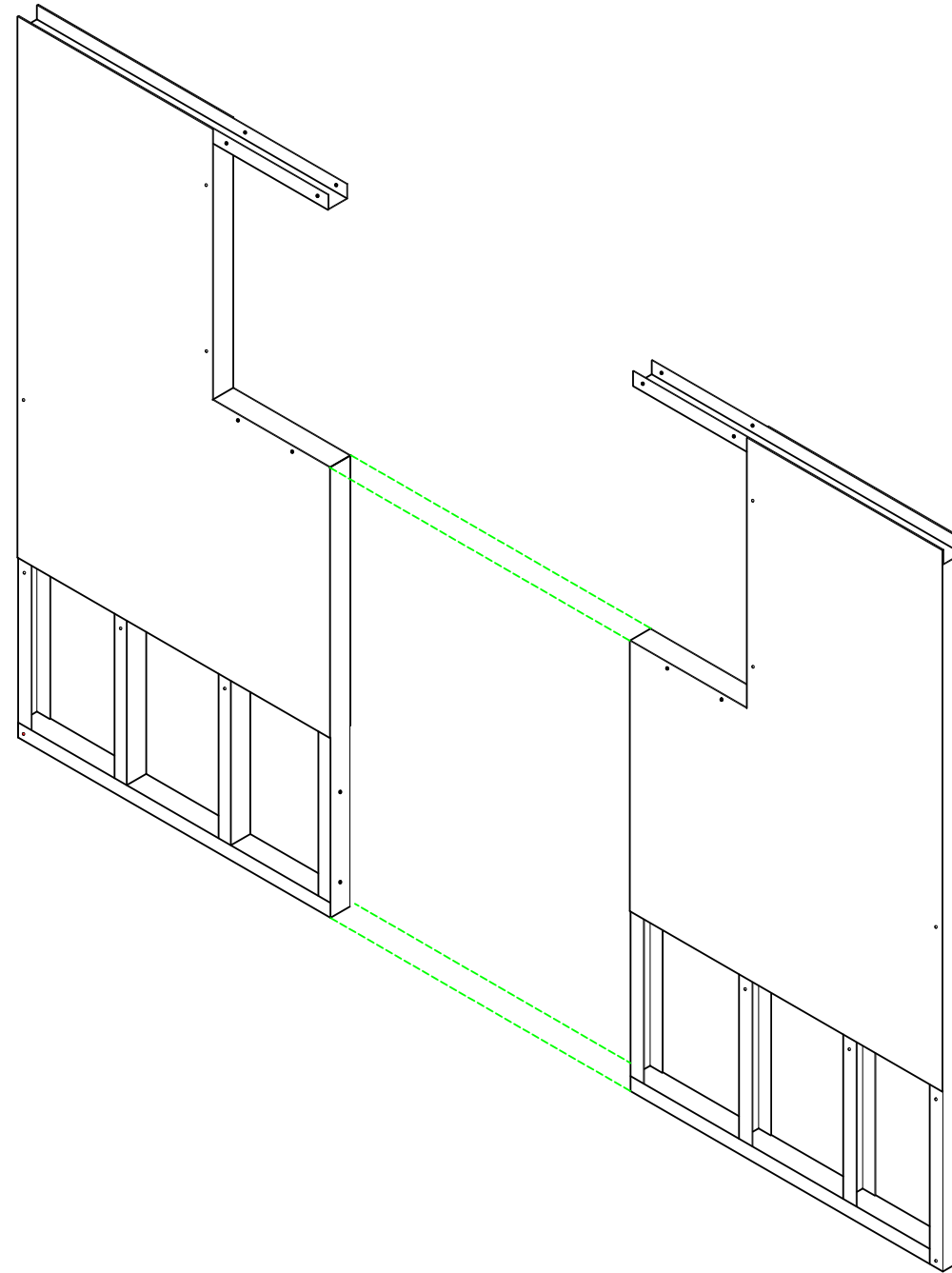
WINDOW PROP

STEP 1

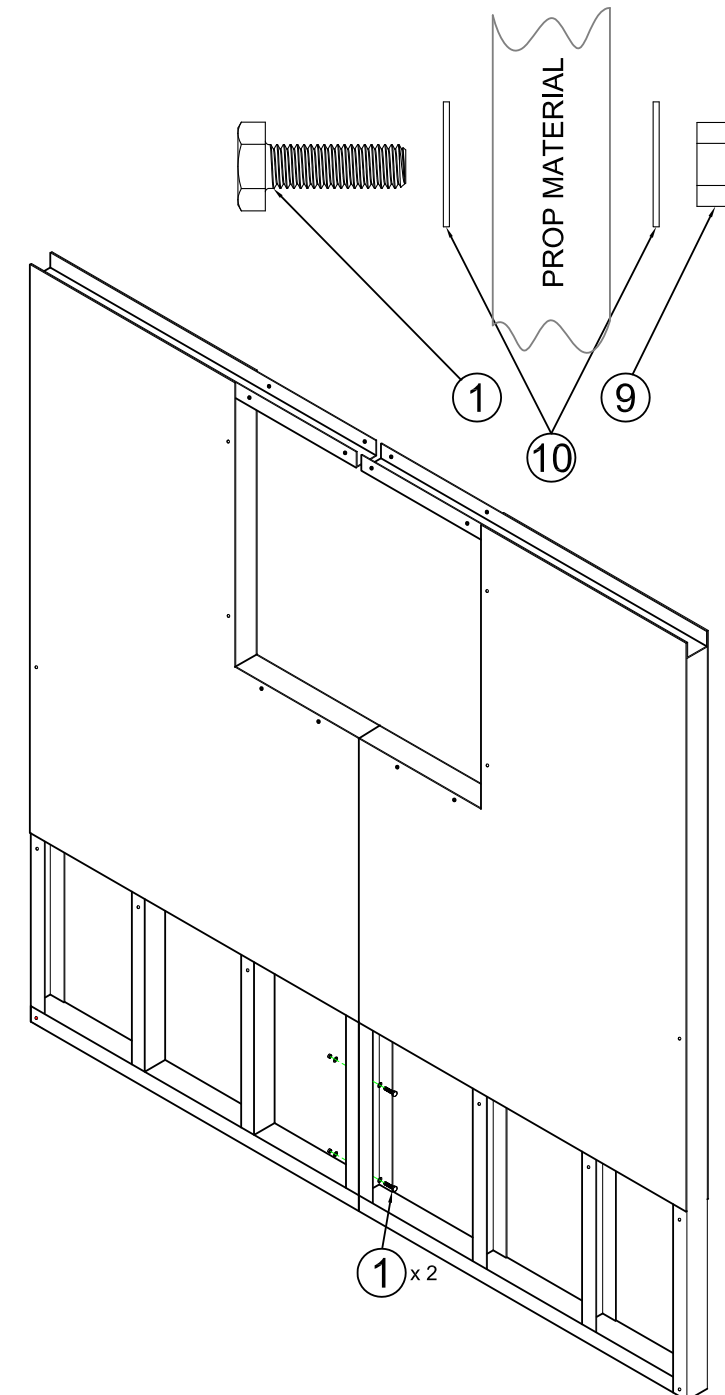
JOIN THE WINDOW WALL HALVES
LAYING DOWN - EXPOSED STUD SIDE UP
USING THE BELOW LISTED HARDWARE

ITEM #	QTY	DESCRIPTION
1	2	1" x 3/8" x 16 HEX BOLT
9	2	3/8" x 16 HEX NUT
10	4	3/8" x 7/8" FLAT WASHER

22 MAR 2012

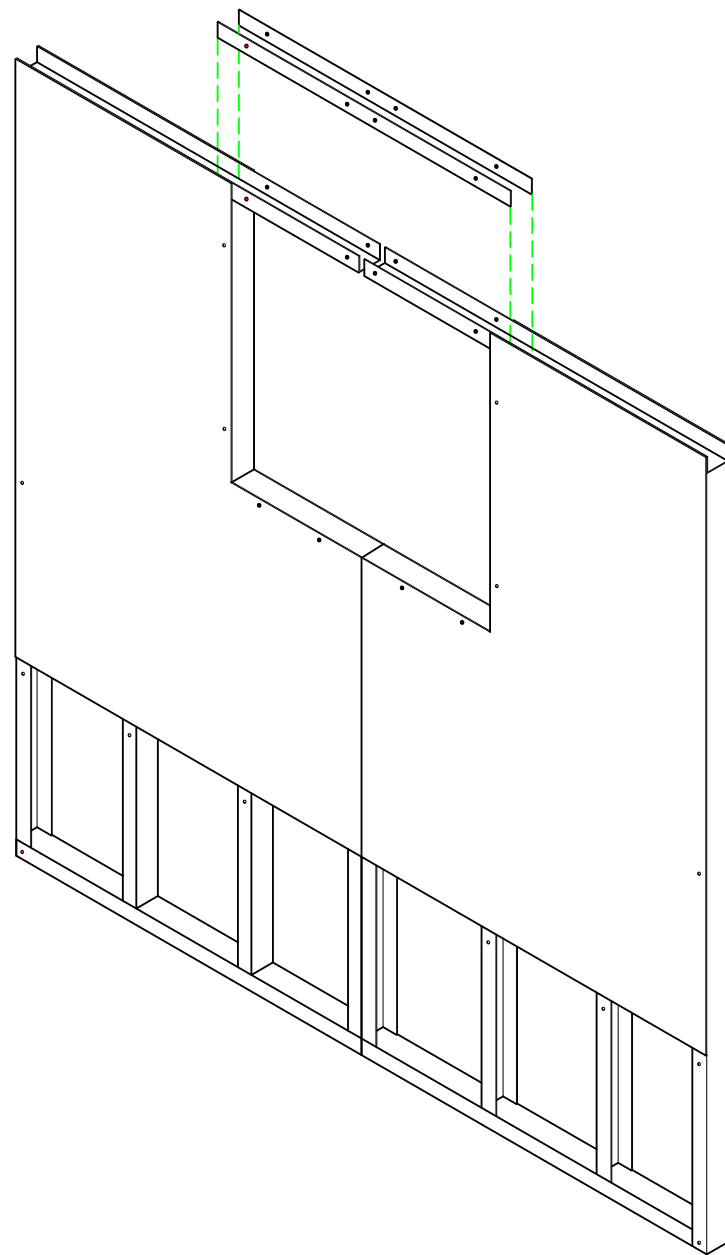


BOLT DETAIL



Window Prop Model Set

IAFF FGS PROP MATERIALS, DESIGN AND
BUILDING INSTRUCTIONS



WINDOW PROP

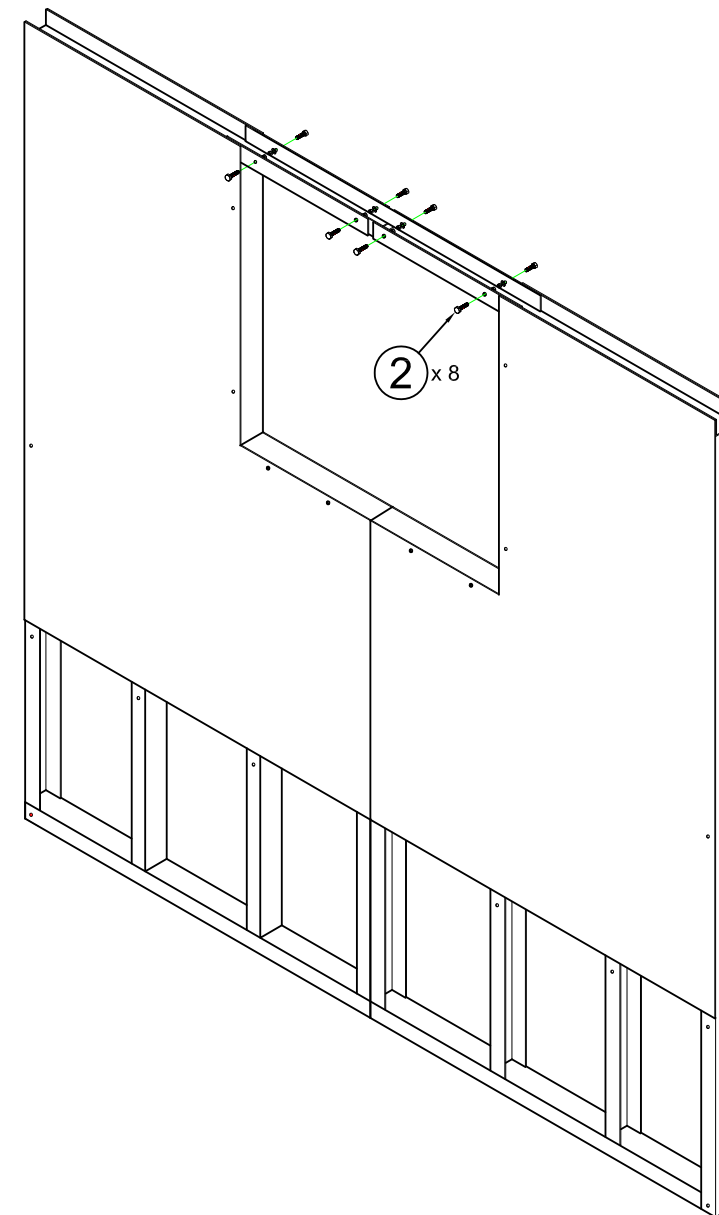
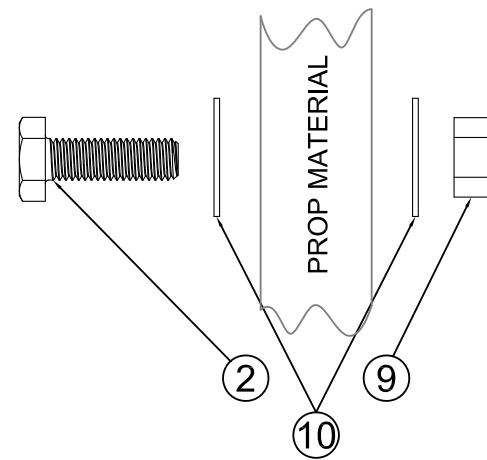
STEP 2

CONNECT THE FLAT BAR
TO THE INSIDE TOP OF THE WINDOW FRAME
USING THE BELOW LISTED HARDWARE

ITEM #	QTY	DESCRIPTION
2	8	1-1/2" x 3/8" x 16 HEX BOLT
9	8	3/8" x 16 HEX NUT
10	16	3/8" x 7/8" FLAT WASHER

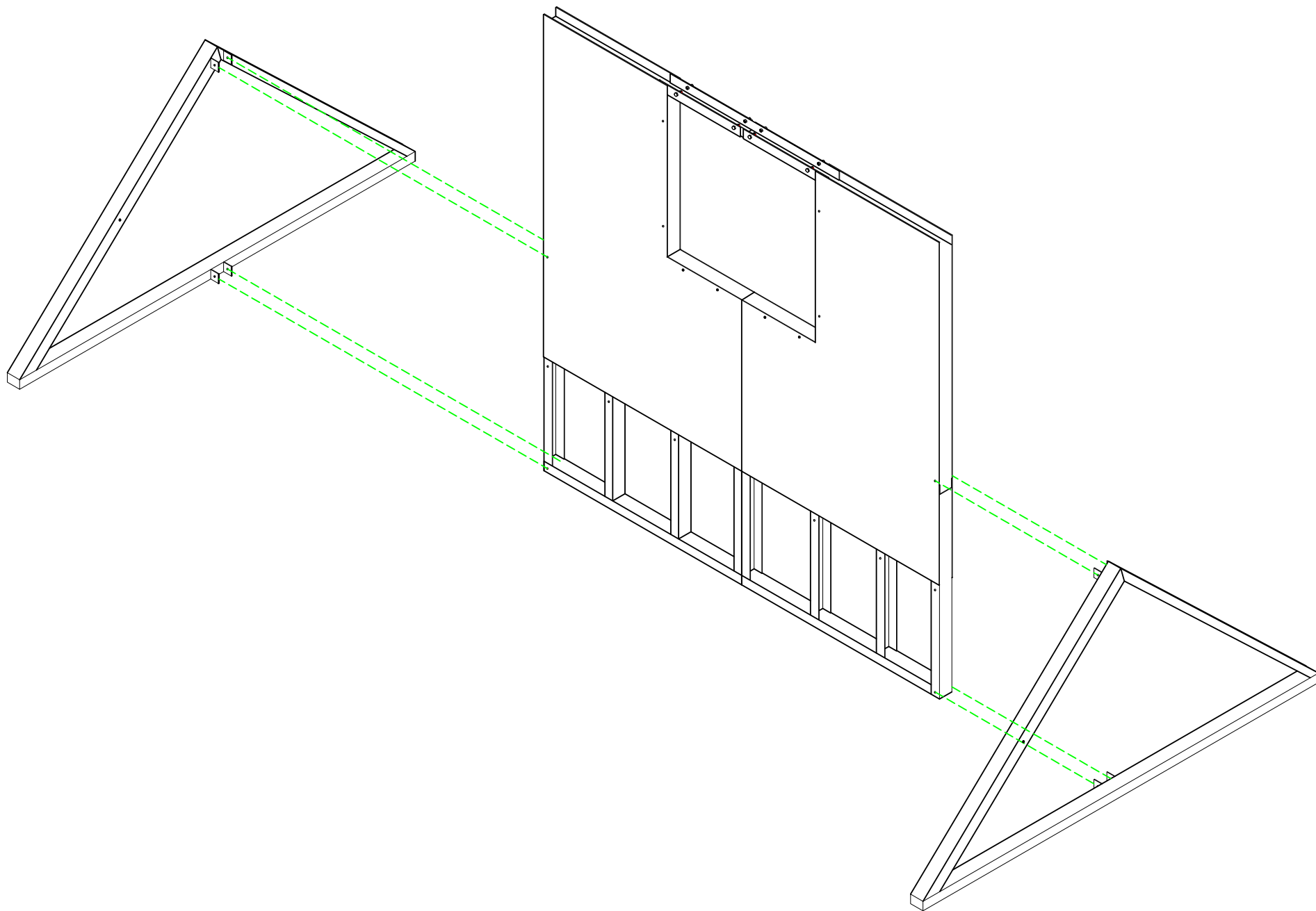
22 MAR 2012

BOLT DETAIL



Window Prop Model Set

IAFF FGS PROP MATERIALS, DESIGN AND
BUILDING INSTRUCTIONS



WINDOW PROP

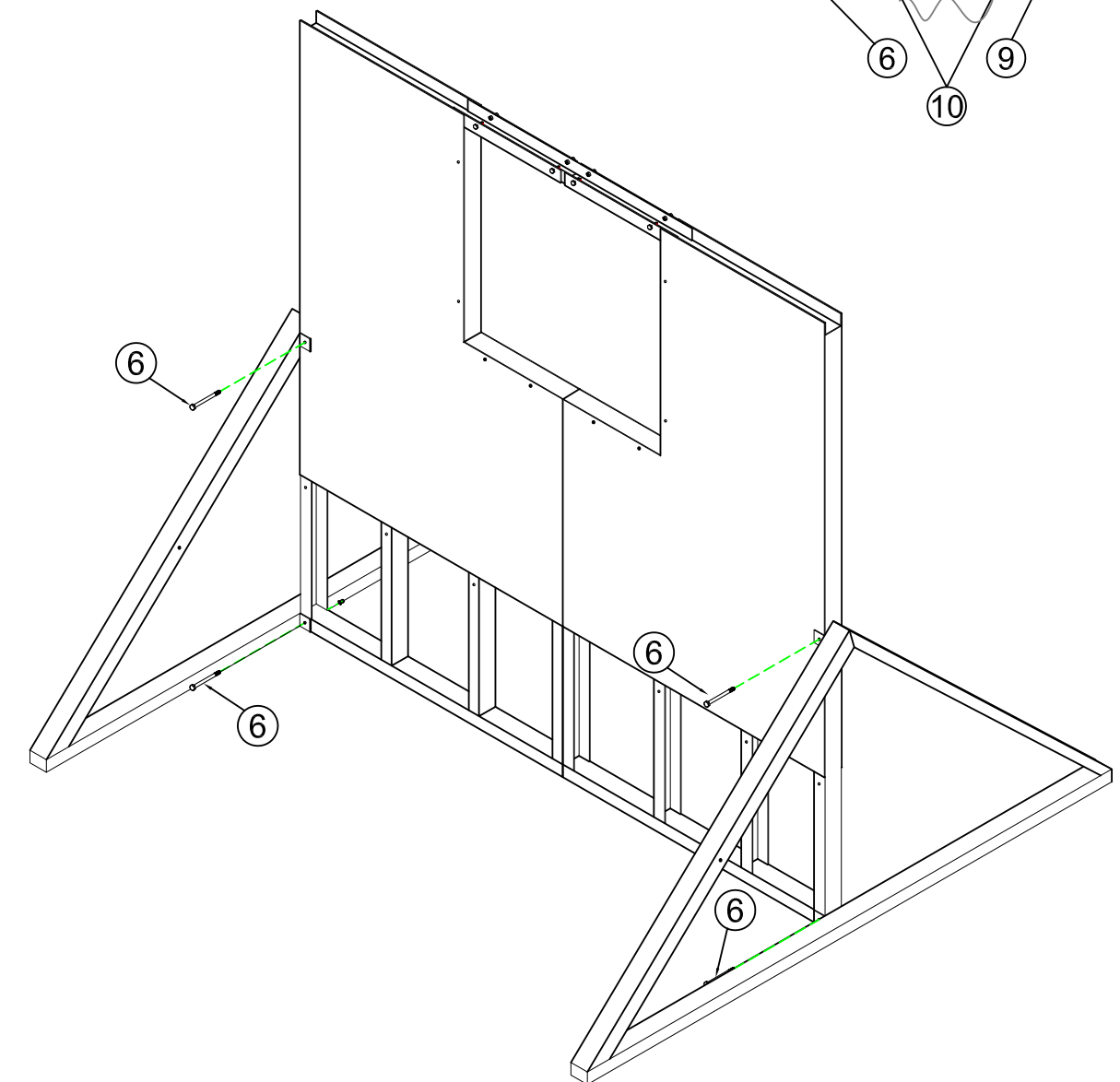
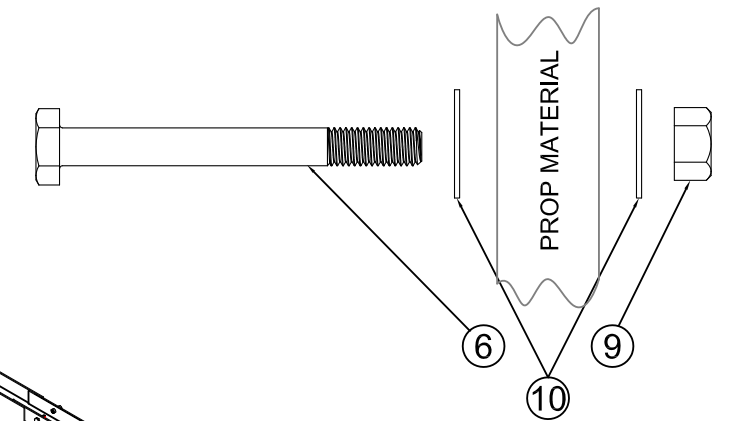
STEP 3

STAND ASSEMBLED WALL STRUCTURE VERTICAL
AND ATTACH THE A-FRAME BRACES
USING THE BELOW LISTED HARDWARE

ITEM #	QTY	DESCRIPTION
6	4	4-1/2" x 3/8" x 16 BOLT
9	4	3/8" x 16 NUT
10	8	3/8" x 7/8" FLAT WASHER

22 MAR 2012

BOLT DETAIL



Window Prop Model Set

IAFF FGS PROP MATERIALS, DESIGN AND
BUILDING INSTRUCTIONS

WINDOW PROP

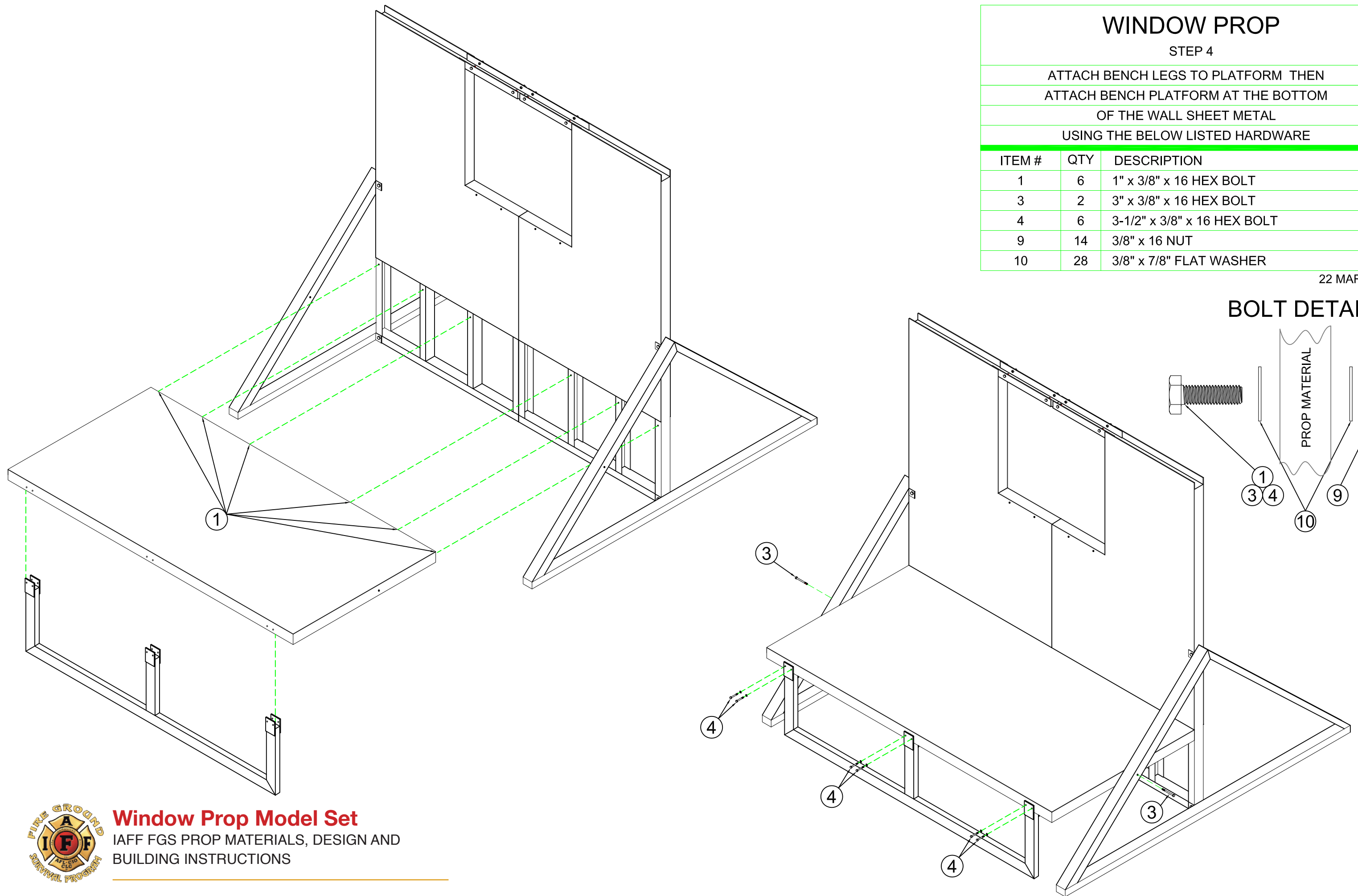
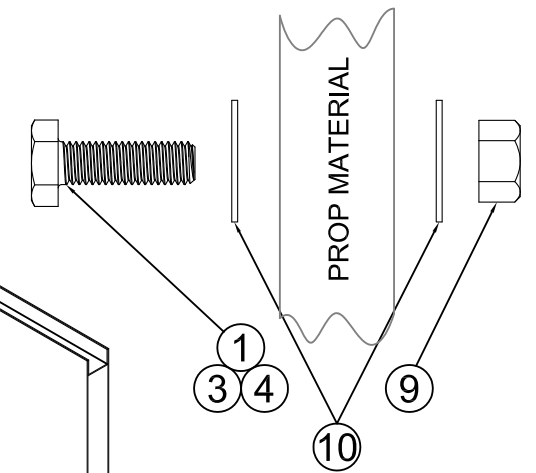
STEP 4

ATTACH BENCH LEGS TO PLATFORM THEN
ATTACH BENCH PLATFORM AT THE BOTTOM
OF THE WALL SHEET METAL
USING THE BELOW LISTED HARDWARE

ITEM #	QTY	DESCRIPTION
1	6	1" x 3/8" x 16 HEX BOLT
3	2	3" x 3/8" x 16 HEX BOLT
4	6	3-1/2" x 3/8" x 16 HEX BOLT
9	14	3/8" x 16 NUT
10	28	3/8" x 7/8" FLAT WASHER

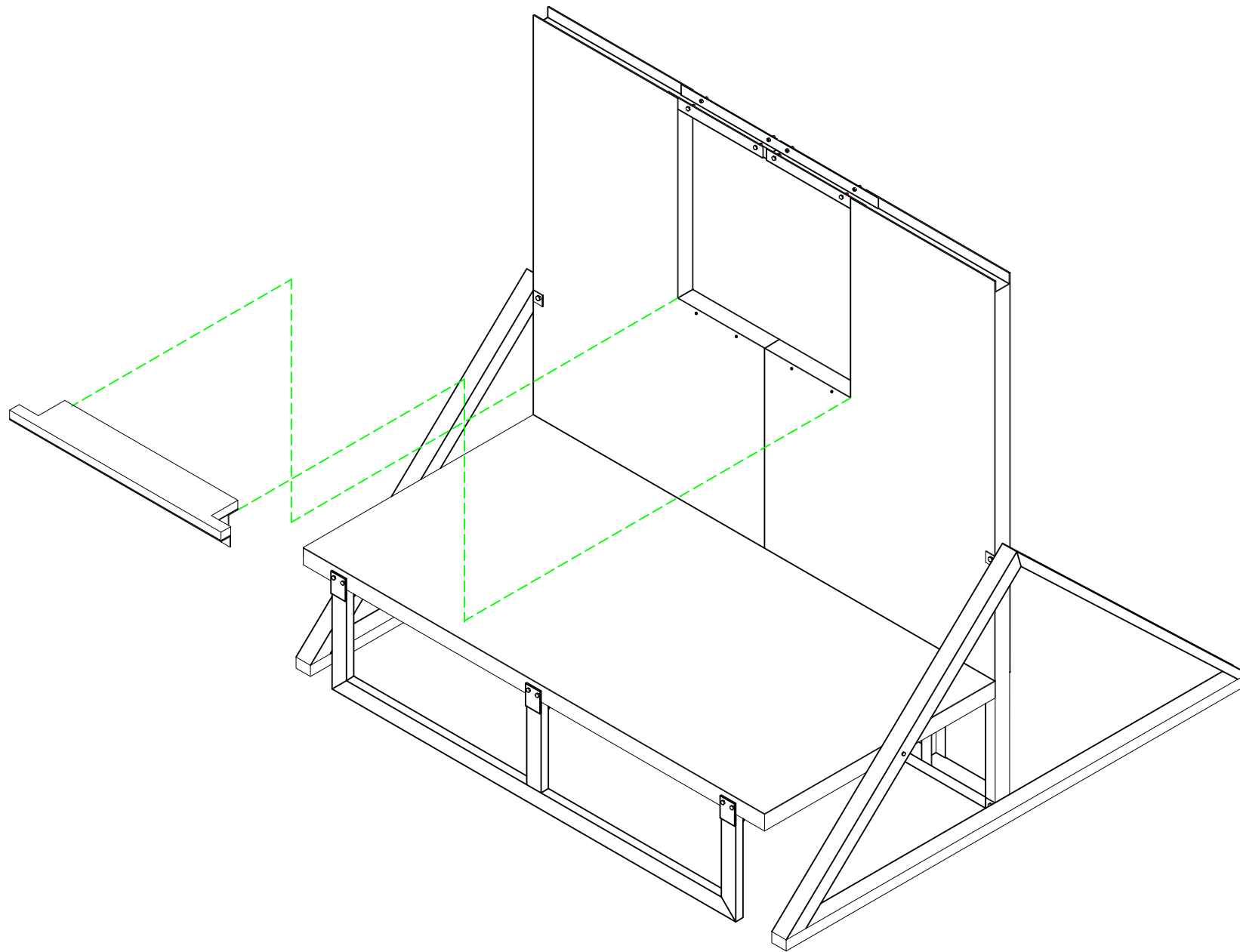
22 MAR 2012

BOLT DETAIL



Window Prop Model Set

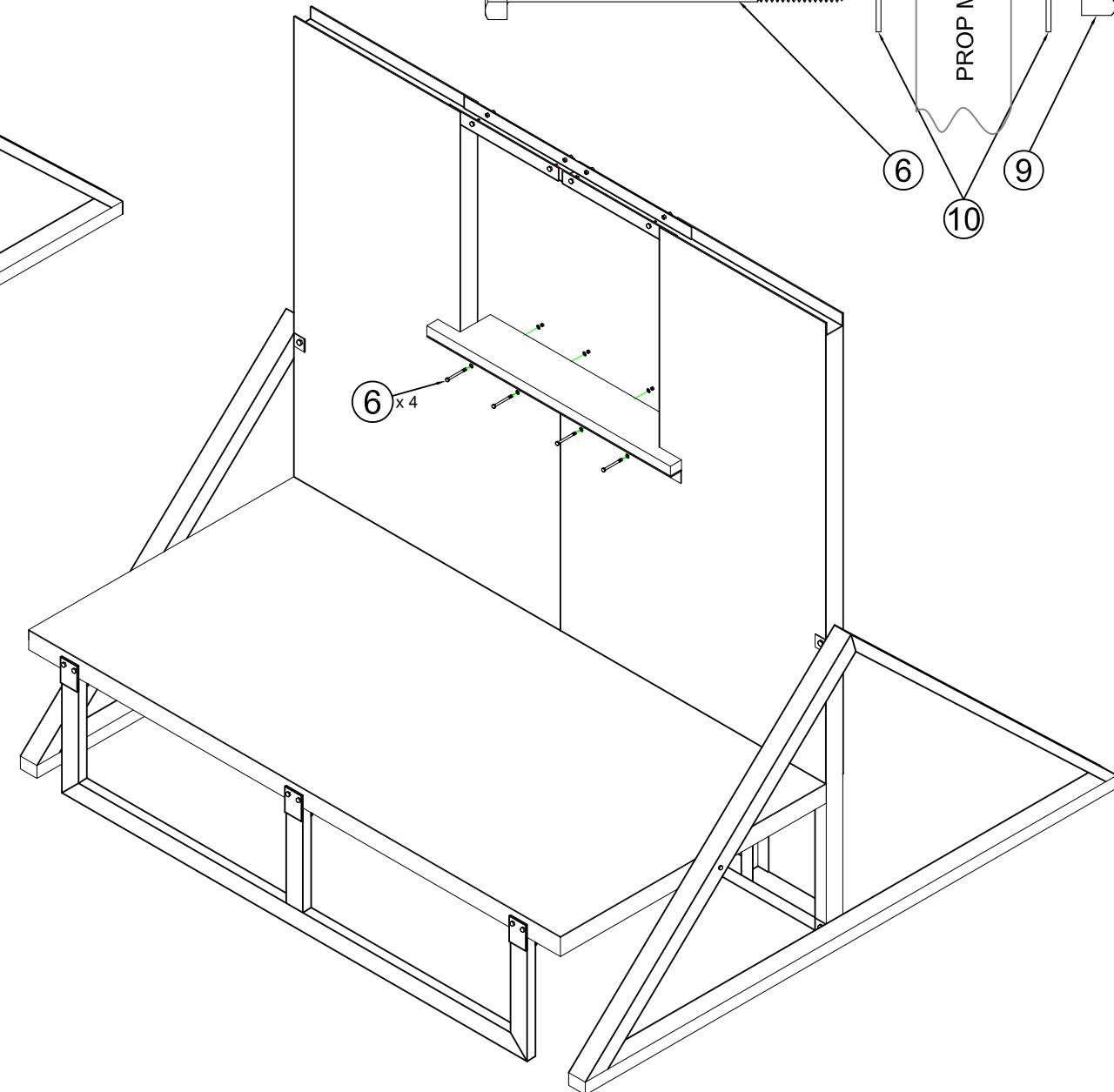
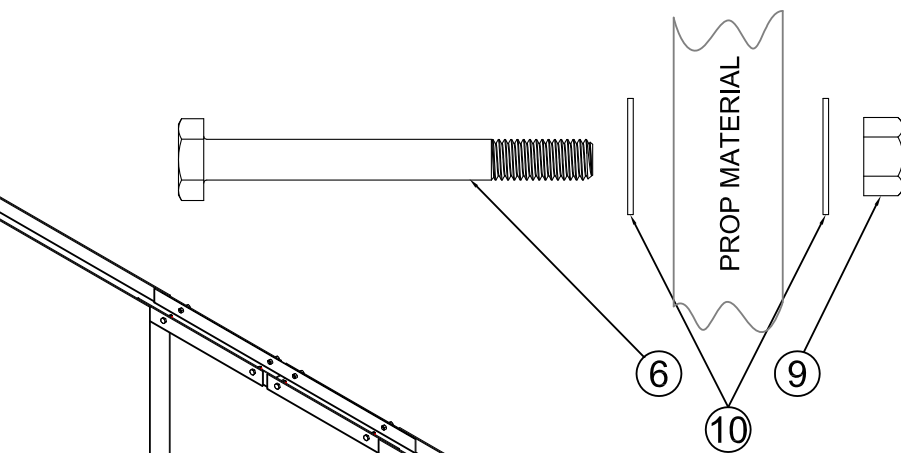
IAFF FGS PROP MATERIALS, DESIGN AND
BUILDING INSTRUCTIONS



WINDOW PROP		
STEP 5		
ATTACH WINDOW SILL TO THE WALL OPENING		
USING THE BELOW LISTED HARDWARE		
ITEM #	QTY	DESCRIPTION
6	4	4-1/2" x 3/8" x 16 BOLT (sill to wall)
9	4	3/8" x 16 NUT
10	8	3/8" x 7/8" FLAT WASHER

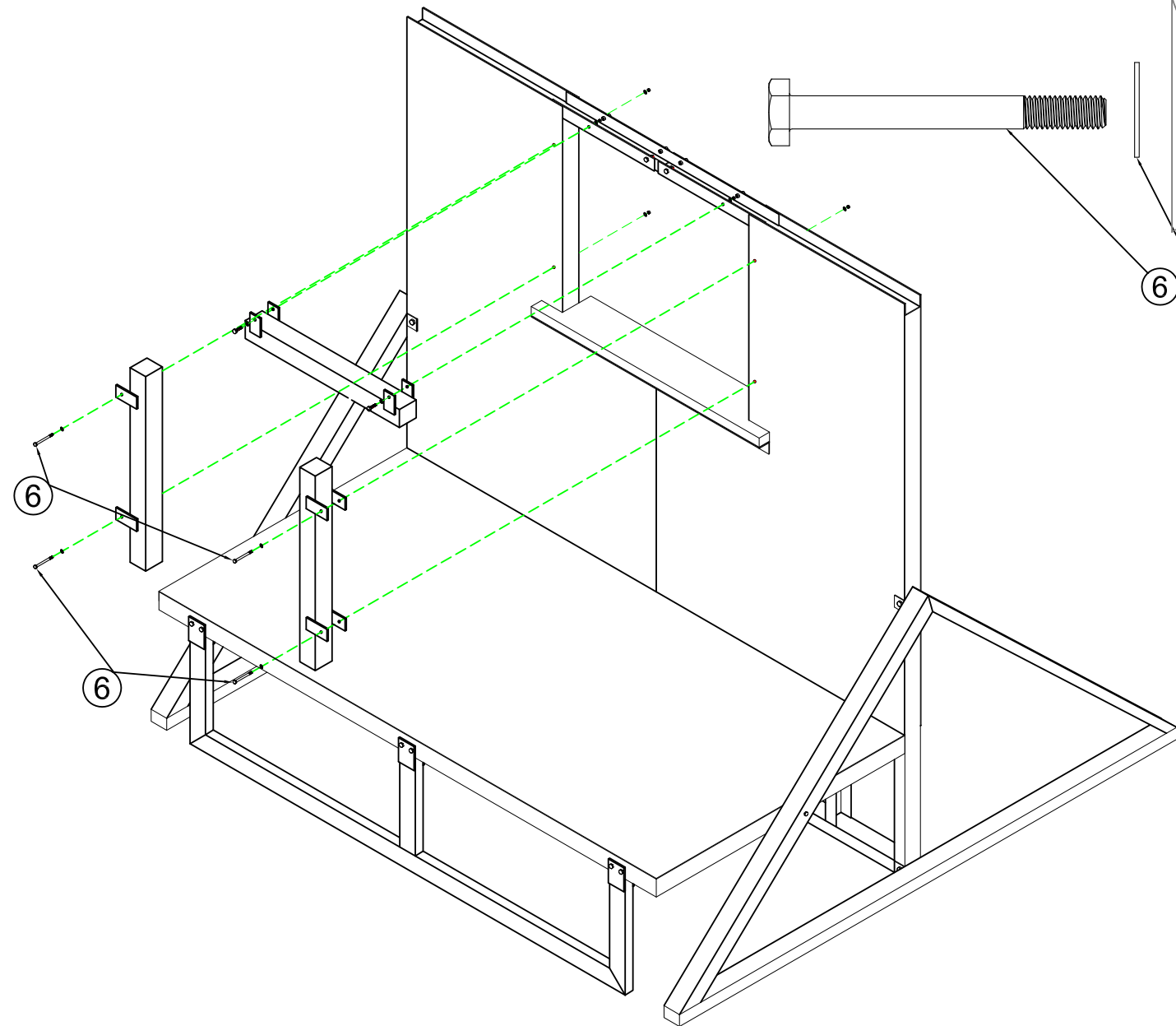
22 MAR 2012

BOLT DETAIL

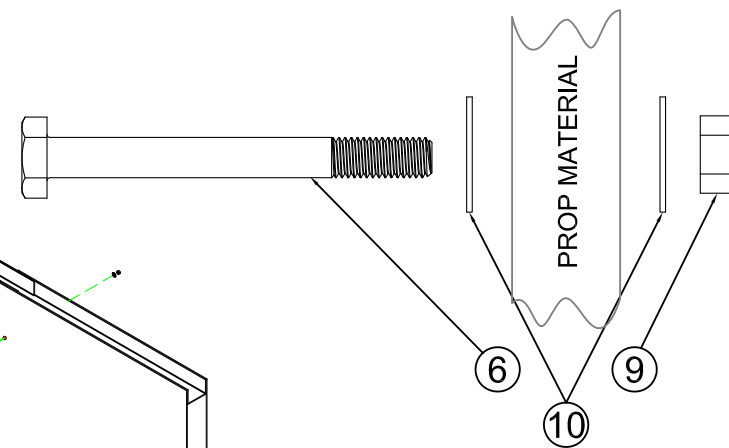


Window Prop Model Set

IAFF FGS PROP MATERIALS, DESIGN AND
BUILDING INSTRUCTIONS

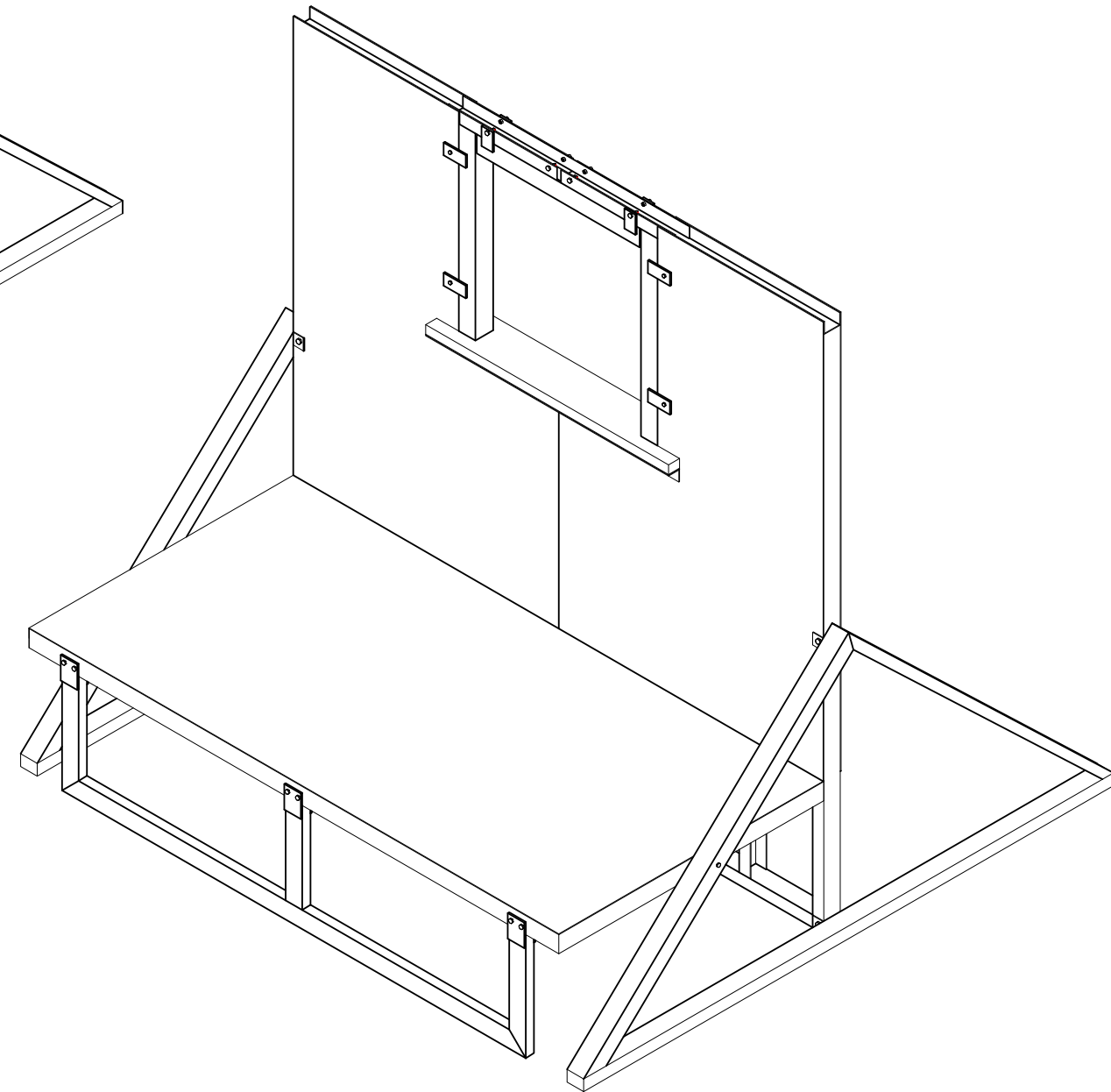


BOLT DETAIL



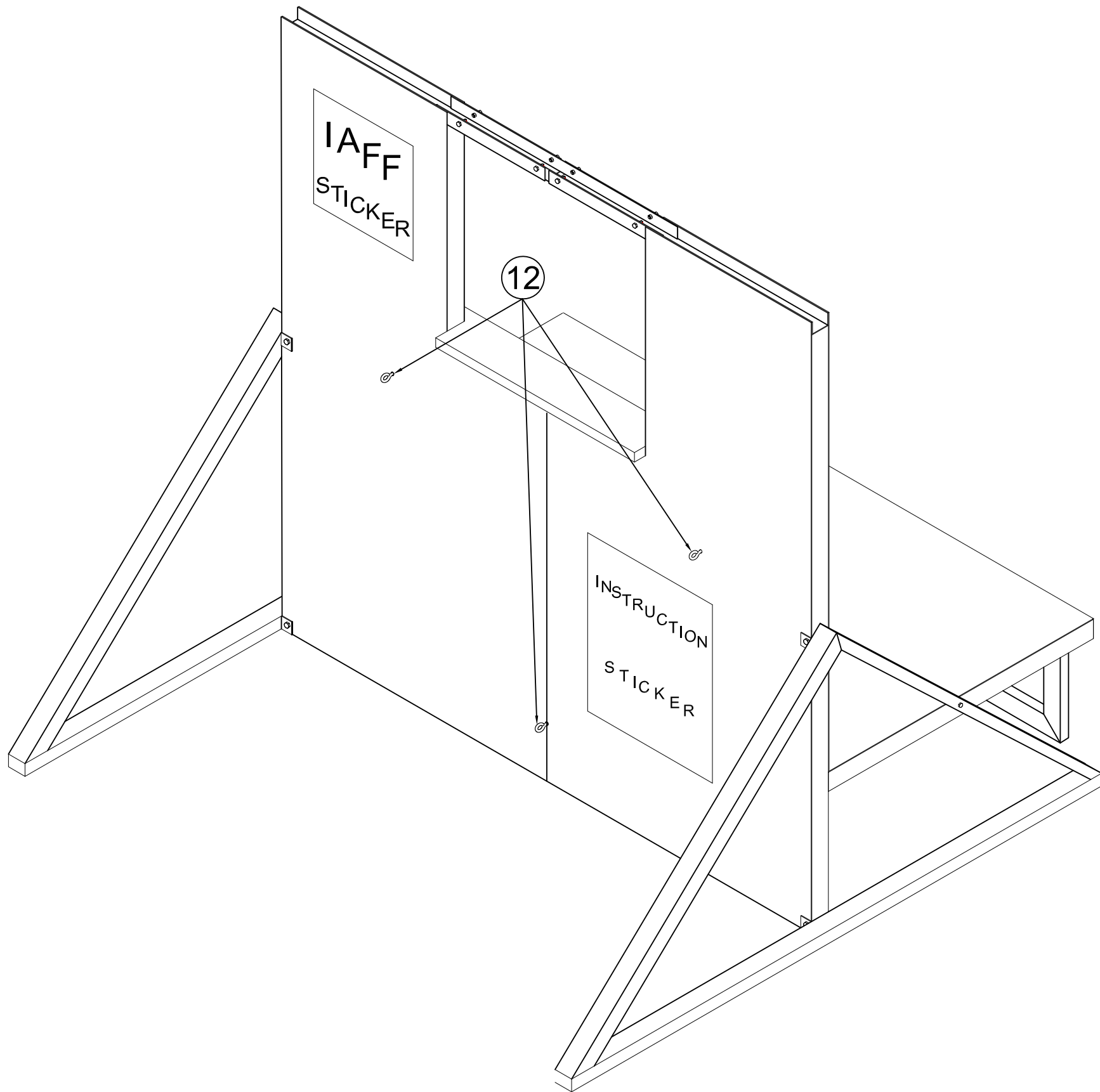
WINDOW PROP		
STEP 5 - REDUCED OPENING OPTION		
ATTACH TOP AND SIDE PIECES		
AROUND THE WINDOW OPENING		
USING THE BELOW LISTED HARDWARE		
ITEM #	QTY	DESCRIPTION
6	4	4-1/2" x 3/8" x 16 BOLT
9	4	3/8" x 16 NUT
10	8	3/8" x 7/8" FLAT WASHER
NOTE: REMOVE 1" X 3/8" OUTER BOLTS ;		
THESE WILL BE USED TO ATTACH THE TOP PIECE		

22 MAR 2012



Window Prop Model Set

IAFF FGS PROP MATERIALS, DESIGN AND BUILDING INSTRUCTIONS



WINDOW PROP

STEP 6

ATTACH EYE BOLTS

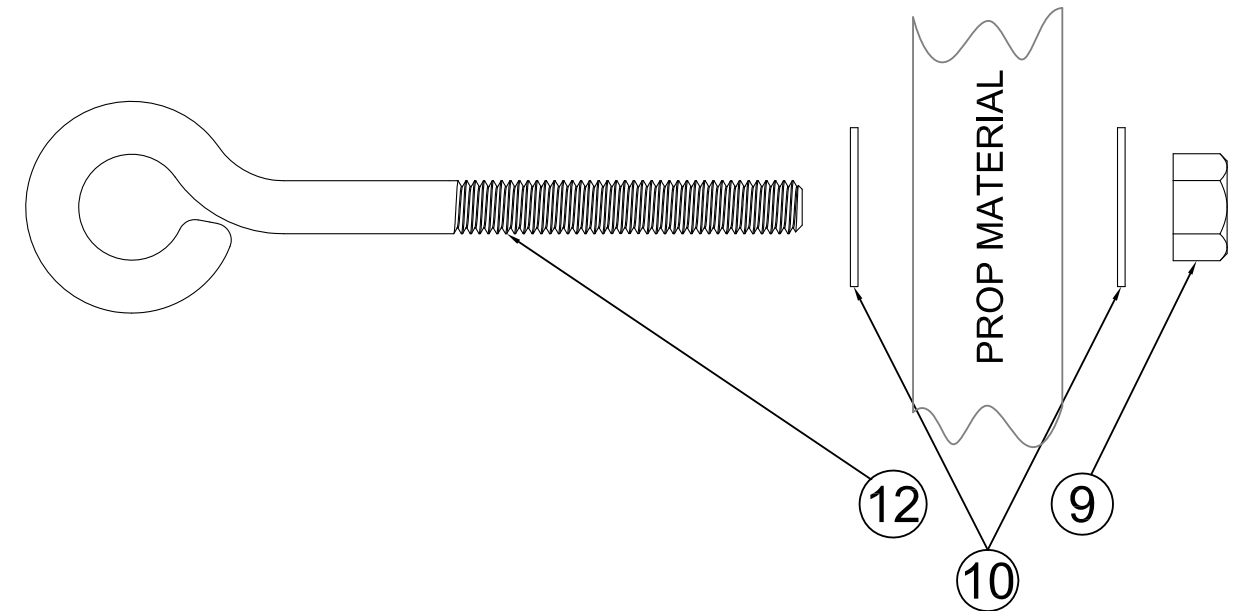
TO THE WALL TO SECURE OUTSIDE LADDER

USING THE BELOW LISTED HARDWARE

ITEM #	QTY	DESCRIPTION
12	3	4" x 3/8" x 16 EYE BOLT

22 MAR 2012

BOLT DETAIL



Window Prop Model Set

IAFF FGS PROP MATERIALS, DESIGN AND BUILDING INSTRUCTIONS

Technical Training Props, Inc.

For ordering estimates, or inquiries, please email us at:
info@technicaltrainingprops.com



Window Prop Model Set

IAFF FGS PROP MATERIALS, DESIGN AND
BUILDING INSTRUCTIONS